

Fig. 10-1 Exploded view

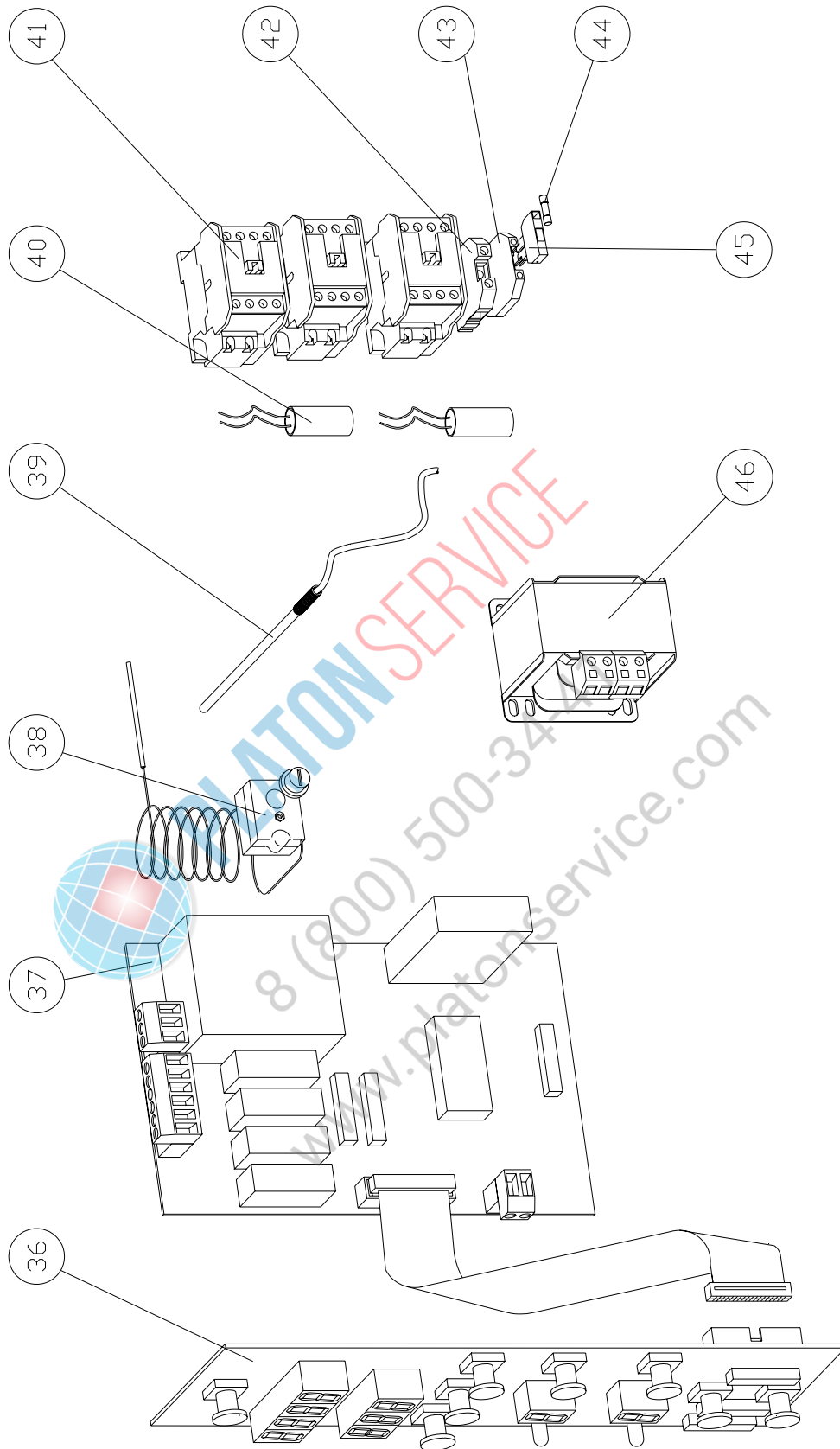


Fig. 10-2-Exploded view of electrical parts

N°	Description	Codes				
		T2 POLIS MC18	T2S POLIS MC18	T3 POLIS MC18	T4 POLIS MC18	T6 POLIS MC18
1	GLASS RESTRAINING FRAME	CARP0110	CARP0545	CARP0111	CARP0110	CARP0111
2	GLASS SEAL	GUAR0010	GUAR0010	GUAR0010	GUAR0010	GUAR0010
3	LEFT HINGE	SUPP0206	SUPP0206	SUPP0206	SUPP0206	SUPP0206
4	BUSH	BOCC0006	BOCC0006	BOCC0006	BOCC0006	BOCC0006
5	DOOR	PORT0162	PORT0183	PORT0164	PORT0162	PORT0164
6	RIGHT HINGE	SUPP0207	SUPP0207	SUPP0207	SUPP0207	SUPP0207
7a	FRONT HEATING ELEMENT	RESI0068	RESI0035	RESI0069	RESI0068	RESI0069
7b	REAR HEATING ELEMENT	RESI0051	RESI0035	RESI0052	RESI0051	RESI0052
8	KNOB	MANI0009	MANI0009	MANI0009	MANI0009	MANI0009
9	FRONT FINISHING FRAME	FIAN0149	FIAN0232	FIAN0151	FIAN0149	FIAN0151
10	RESTRINING PANEL	CARP0486	CARP1096	CARP0486	CARP0488	CARP0488
11	LEFT GUARD	FIAN0228	FIAN0235	FIAN0228	FIAN0230	FIAN0230
12	TOP PANEL	CARP0506	CARP1098	CARP0507	CARP0508	CARP0509
13	BUTTERFLY VALVE CONTROL ROD	ASTA0007	ASTA0013	ASTA0007	ASTA0015	ASTA0015
14	BUTTERFLY VALVE CONTROL ADJUSTER	CARP0248	CARP0248	CARP0248	CARP0248	CARP0248
15	BODY OF COOKING CHAMBER	CAME0081	CAME0090	CAME0082	CAME0115	CAME0117
16	REAR PANEL	FIAN0153	FIAN0233	FIAN0155	FIAN0153	FIAN0155
17	FLUE	TUBO0046	TUBO0046	TUBO0046	TUBO0046	TUBO0046
18	DOOR GLASS	CRIS0025	CRIS0026	CRIS0028	CRIS0025	CRIS0028
19	DOOR HANDLE	MANI0057	MANI0060	MANI0058	MANI0057	MANI0058
20	LEFT DOOR SHUT SPRING	SPRI0009	SPRI0009	SPRI0009	SPRI0009	SPRI0009
21	RIGHT DOOR SHUT SPRING	SPRI0010	SPRI0010	SPRI0010	SPRI0010	SPRI0010
22	FRONT BEDPLATE	PLAM0012	PLAM0024	PLAM0015	PLAM0012	PLAM0015
23	REAR BEDPLATE	PLAM0013	PLAM0025	PLAM0016	PLAM0013	PLAM0016
24	BRACE BEDPLATE	CARP1208		CARP1209	CARP1208	CARP1209
25	CONTROL PANEL MOUNT	CART0128	CART0128	CART0128	CART0128	CART0128
26	LIGHT HOUSING GLASS FRAME	CARP0046	CARP0046	CARP0046	CARP0046	CARP0046
27	LIGHT HOUSING GLASS	CRIS0006	CRIS0006	CRIS0006	CRIS0006	CRIS0006
28	RESTRINING PANEL	CARP0491	CARP1097	CARP0491	CARP1316	CARP1316
29	BOTTOM PANEL	CARP0506	CARP1098	CARP0507	CARP0508	CARP0509
30	LAMP CRADLE	CARP0515	CARP0515	CARP0515	CARP0515	CARP0515
31	LAMP	LAMP0020	LAMP0020	LAMP0020	LAMP0020	LAMP0020
32	LAMP HOLDER	LAMP0021	LAMP0021	LAMP0021	LAMP0021	LAMP0021
33	HOLDER	CARP1275	CARP1275	CARP1275	CARP1275	CARP1275
34	LAMP COLDIND BOX	CARP0495	CARP1130	CARP0495	CARP0495	CARP0495
35	RIGHT GUARD	FIAN0224	FIAN0234	FIAN0224	FIAN0226	FIAN0226
36	PUSH-BUTTON PANEL	ELET0149	ELET0149	ELET0149	ELET0149	ELET0149
37	BASE CARD	ELET0148	ELET0148	ELET0148	ELET0148	ELET0148
38	500°C SAFETY THERMOSTAT	TERM0005	TERM0005	TERM0005	TERM0005	TERM0005
39	J PROBE	TERM0020	TERM0020	TERM0020	TERM0020	TERM0020
40	ANTIJAMMING DEVICE	ELET0116	ELET0116	ELET0116	ELET0116	ELET0116
41	CONTROL SWITCH	ELET0002	ELET0002	ELET0002	ELET0002	ELET0002
		ELET0160	ELET0160	ELET0160	ELET0160	ELET0160
		ELET0432	ELET0432	ELET0432	ELET0432	ELET0432
42	EARTH PORT	ELET0053	ELET0053	ELET0053	ELET0053	ELET0053
43	FUSE HOLDER PORT	ELET0058	ELET0058	ELET0058	ELET0058	ELET0058
44	FUSE	ELET0204	ELET0204	ELET0204	ELET0204	ELET0204
45	FUSE HOLDER	ELET0040	ELET0040	ELET0040	ELET0040	ELET0040
46	LAMP TRANSFORM	ELET0144	ELET0144	ELET0144	ELET0144	ELET0144

Table 10.6 - List of spare parts (MC 18)

